

# THE HEAVY DUTY NONMETALLIC CABLE RACK



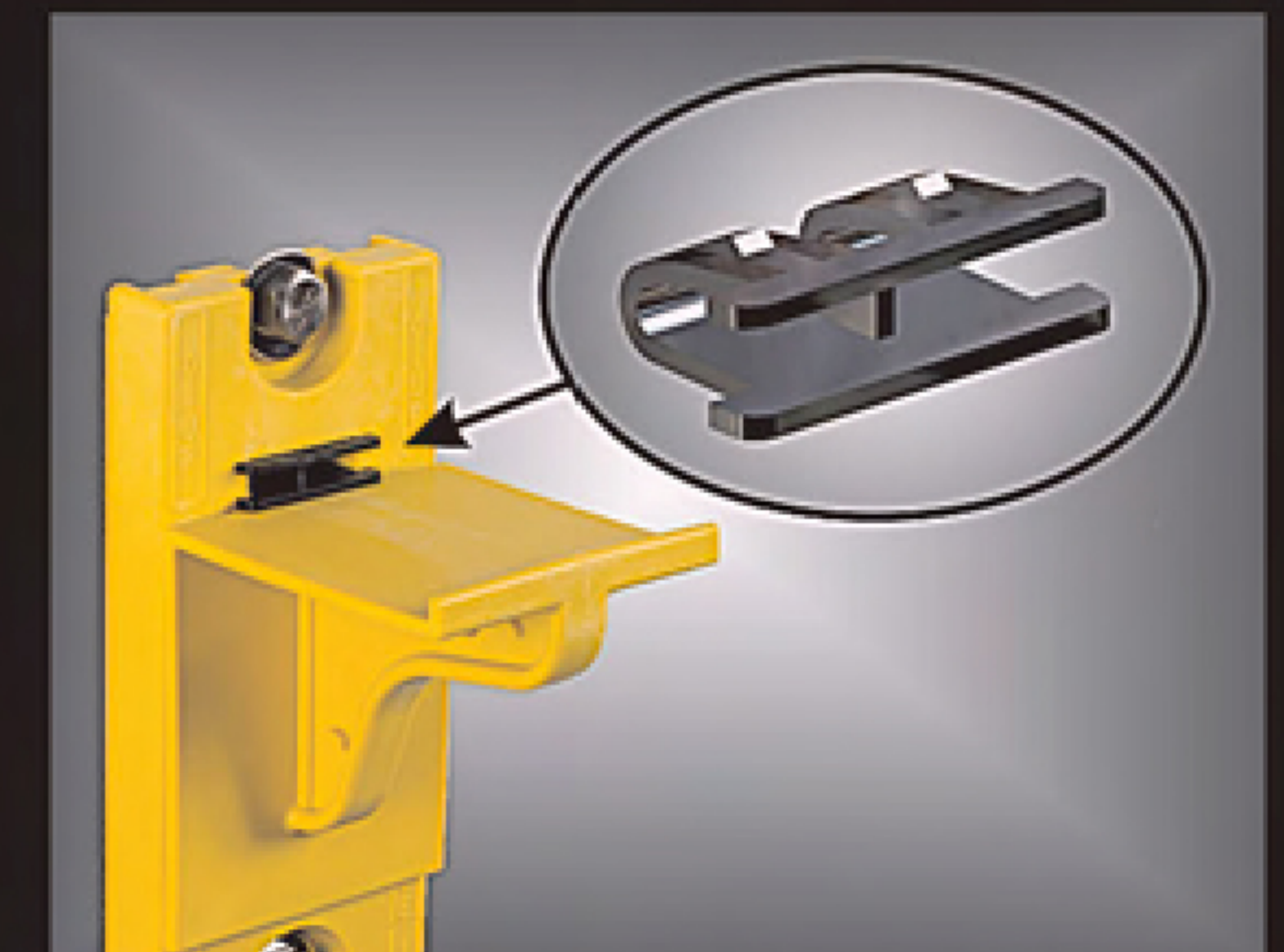
For Power and Communications Manholes and Vaults



- Nonmetallic
- Will Not Rust or Corrode
- High Load Capacity
- No Grounding or Bonding
- Molded from UL Listed  
Glass Reinforced Polymer
- Insulators Not Required
- Excellent Dielectric Properties

RATED CAPACITY			
CATALOG NUMBER	ARM LENGTH	RATED LOAD (LBS)*	DEFLECTION (INCHES)*
3HDS	3" SADDLE	450	-
RA04	4"	450	.082
RA06	6"	450	.156
RA08	8"	450	.218
RA11	11"	400	.250
RA14	14"	350	.312
RA20	20"	250	.234

\*Concentrated load and deflection 1" from end of arm.



HDL - Arm lock shown with RA04 Arm and CR36-B Stanchion

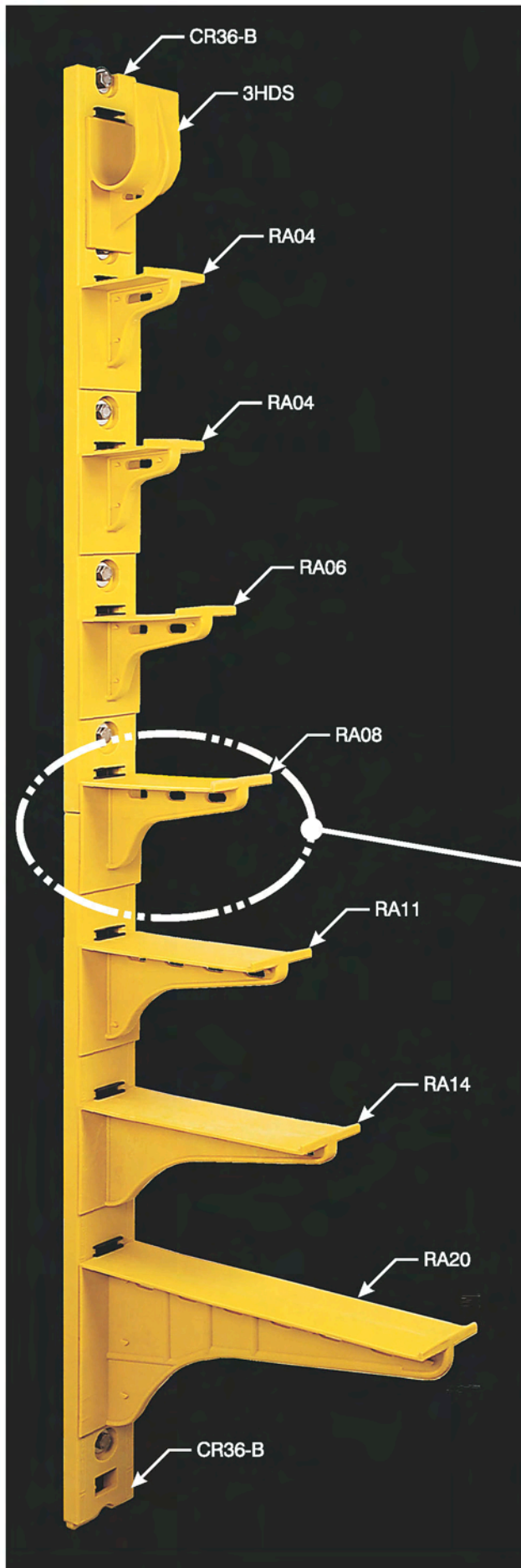


3HDS - 3" throat saddle shown with a cable secured by cable ties.

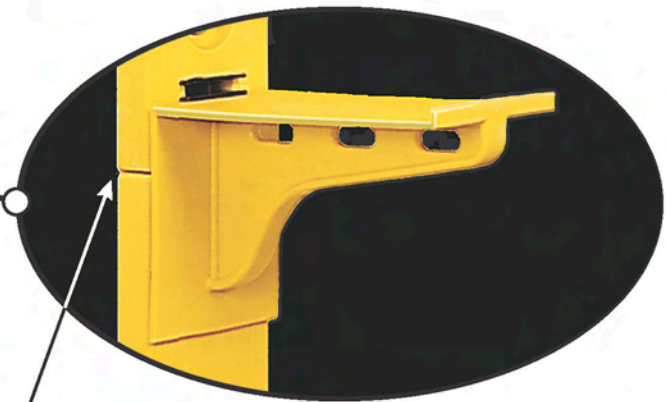


RA08 - 8" arm shown with three cables secured by cable ties.





ORDERING INFORMATION				
CATALOG NUMBER	DESCRIPTION	STANDARD CARTON		
		QUANTITY	LBS.	CU. FT.
CR36-B	36" Stanchion	10	39.4	1.32
CR28-B	28" Stanchion	10	30.1	.96
CR24-B	24" Stanchion	10	25.8	.83
CR20-B	20" Stanchion	10	21.3	.66
CR16-B	16" Stanchion	10	17.2	.52
CR12-B	12" Stanchion	10	12.7	.36
CR8-B	8" Stanchion	10	8.6	.24
3HDS	3" Saddle	10	7.7	.69
RA04	4" Arm	10	7.7	.41
RA06	6" Arm	10	9.5	.51
RA08	8" Arm	10	11.8	.78
RA11	11" Arm	10	14.4	.95
RA14	14" Arm	10	18.1	1.17
RA20	20" Arm	10	32.5	2.37
HDL	Arm Lock	50	0.9	0.06

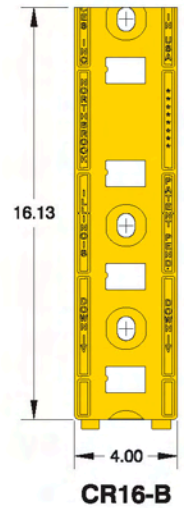
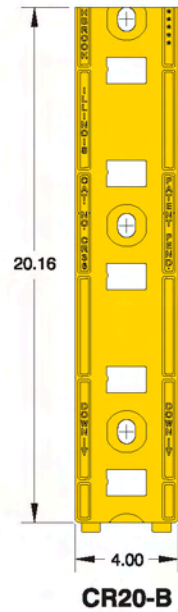
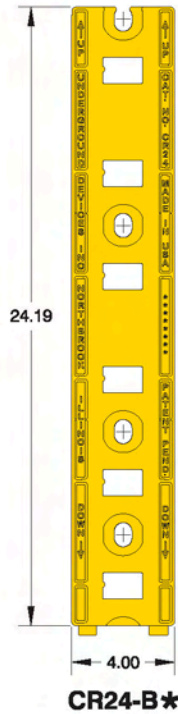
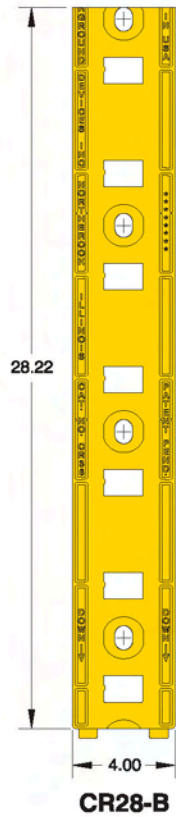
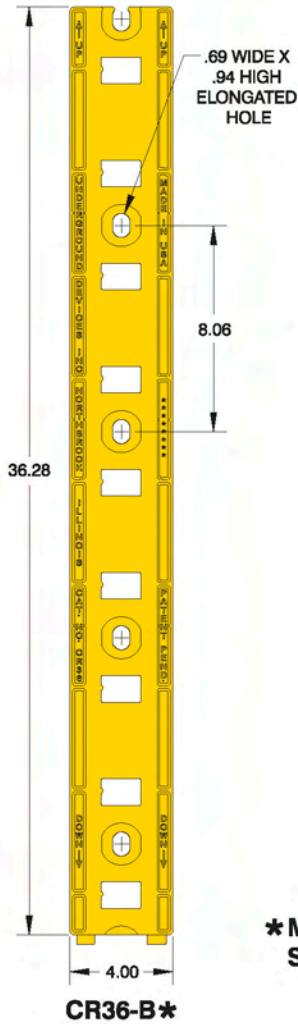


Stanchions can be installed in tandem. Arm can jump the joint between two stanchions without any loss in arm capacity.

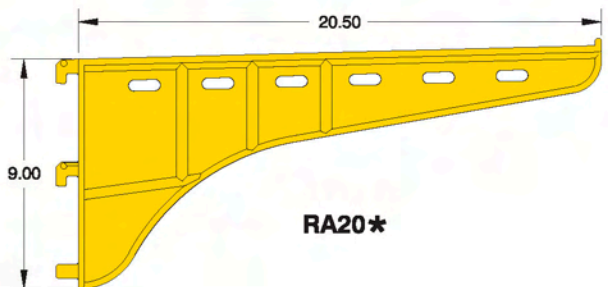
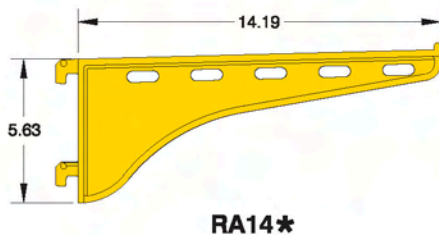
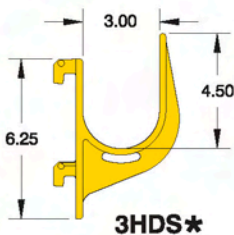
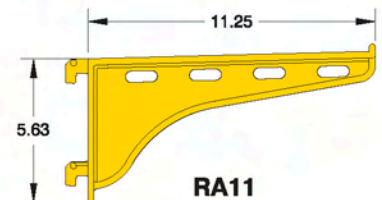
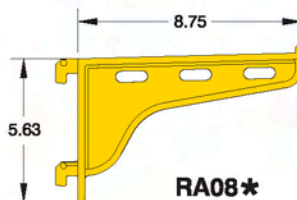
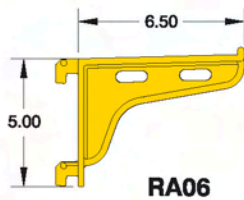
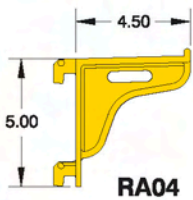
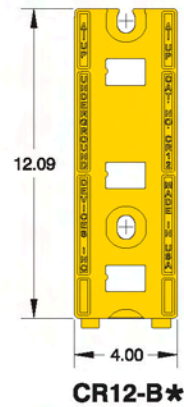
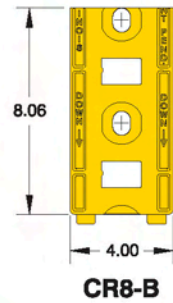
**NOTES:**

1. Installation drawings and instructions, installation hardware, guide specifications and load vs deflection details are available on separate catalog pages and at [www.udevices.com](http://www.udevices.com).
2. Installation drawings and instructions in AutoCAD® format are available for insertion into your drawings and specifications.

# THE HEAVY DUTY NONMETALLIC CABLE RACK COMPONENT PARTS



**\* MOST COMMONLY USED STANCHIONS AND ARMS.**







**TERMS:** Net 30 days - \$100.00 minimum net billing. All prices FOB our factory or warehouse location with freight to be charged directly by the carrier.

**CLAIMS:** Claims for damages or shortages shall first be processed with carrier by consignee.

**RETURN GOODS POLICY:** A 25% re-stocking charge will be made on orders returned, transportation prepaid, to the original shipping point following authorization from UNDERGROUND DEVICES, INC. Authorization will be granted only under the conditions that the quantity to be returned does not exceed 10% of the quantity ordered, the goods are in saleable condition in the original cartons and the request for return is made within 90 days of the shipping date.

**LIMITED WARRANTY:** UNDERGROUND DEVICES, INC. Warrants to the original purchaser that the goods manufactured by it are free from defects in material and workmanship for a period of one year from the date of purchase. Consequences of improper selection or installation of UNDERGROUND DEVICES product on any application over any period of time is the sole responsibility of the Purchaser or User. UNDERGROUND DEVICES liability is limited to replacement of, or credit for, defective products. UNDERGROUND DEVICES, INC. WILL IN NO EVENT BE LIABLE FOR INCIDENTAL OR CONSEQUENTIAL DAMAGES.

---

**Surrey Office**

17949 Roan Place  
Surrey, B.C. V3S 5K1  
Phone: 604-594-2701  
Fax: 604-594-2751

**Calgary Office**

#1-1381 Hastings Crescent SE  
Calgary, AB. T2G 4C8  
Phone: 403-243-1900  
Fax: 403-243-2063

**Winnipeg Office**

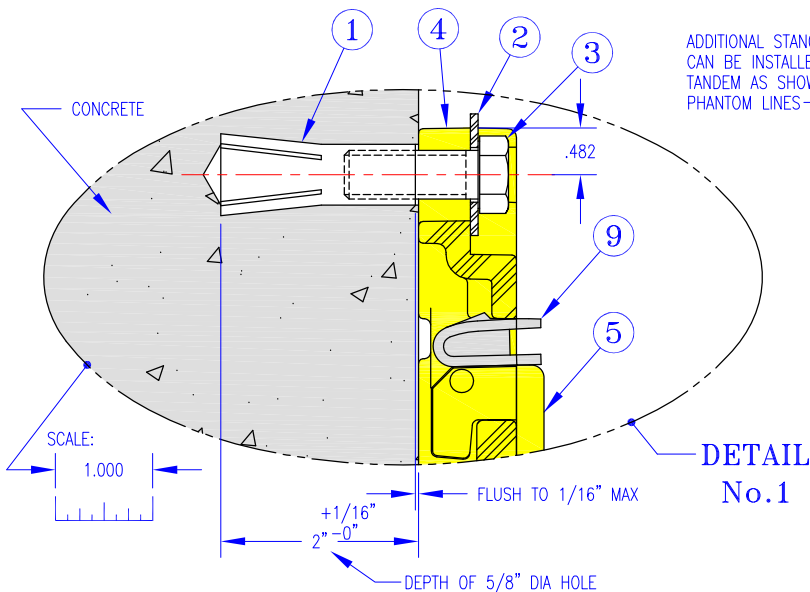
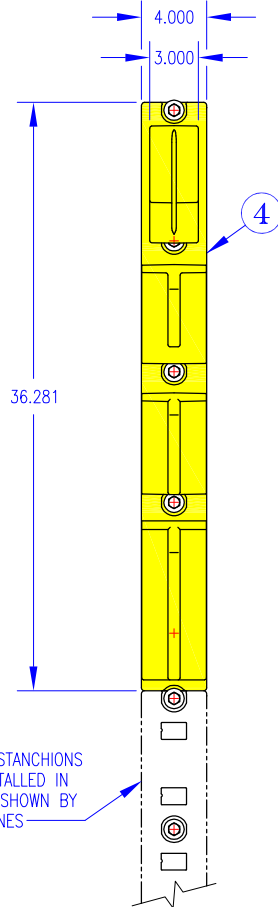
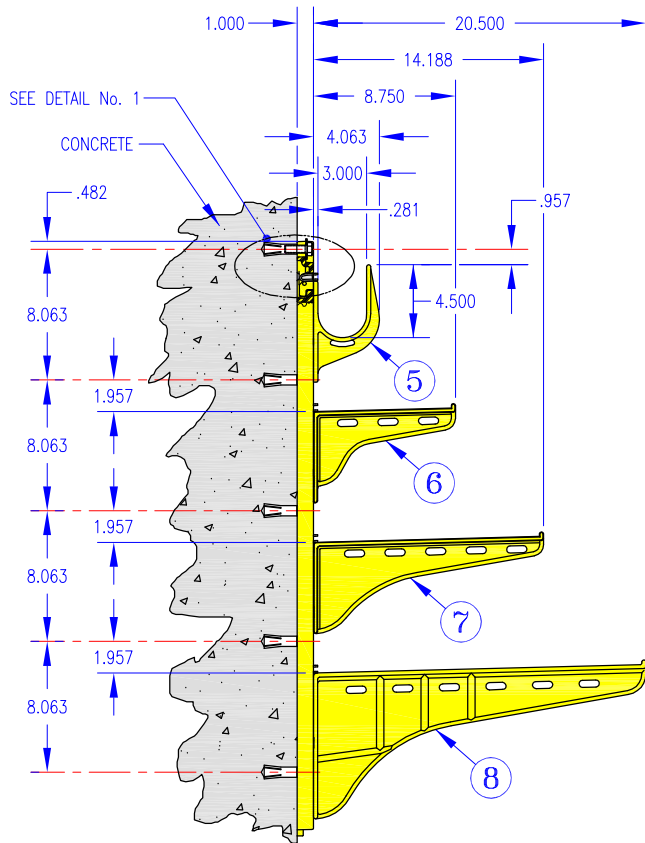
1103 Keewatin Street  
Winnipeg MB. R2X-2Z3  
Phone: 204-783-9771  
Fax: 204-783-8951

**Mississauga Office**

7015 Ordan Dr., Unit #2  
Mississauga ON L5T 1Y2  
Phone: 905-564-5344  
Fax: 905-564-5354







ADDITIONAL STANCHIONS CAN BE INSTALLED IN TANDEM AS SHOWN BY PHANTOM LINES

SCALE: 1.000



US PATENT 7,140,500  
(OTHER US & FOREIGN PATENTS PENDING)

## BILL OF MATERIAL

ITEM NUMBER	CATALOG NUMBER	DESCRIPTION	QUANTITY REQUIRED
①	FSRM-12	1/2"-13 DROP-IN ANCHOR Material: 303 STAINLESS STEEL	5
②	FFW316-18-40	FLAT WASHER ID=.562, OD=1.250, THK=.078 Material: 316 STAINLESS STEEL	5
③	FHC316-16-044	1/2"-13 X 1-3/8" LG. HEX HEAD CAP SCREW Material: 316 STAINLESS STEEL	5
④	CR36-B	CR36-B STANCHION Material: 50% Glass Reinforced Nylon	1
⑤	3HDS	3HDS SADDLE Material: 50% Glass Reinforced Nylon	1
⑥	RA08	RA08 ARM (8" LONG) Material: 50% Glass Reinforced Nylon	1
⑦	RA14	RA14 ARM (14" LONG) Material: 50% Glass Reinforced Nylon	1
⑧	RA20	RA20 ARM (20" LONG) Material: 50% Glass Reinforced Nylon	1
⑨	HDL	HDL LOCK (OPTIONAL) Material: Polycarbonate	1 PER ARM
NOT SHOWN	FRT-112	SETTING TOOL (Used to install Catalog No. FSRM-12 Drop-In Anchor)	AS REQ'D

### GENERAL INSTALLATION GUIDELINES

For the highest cable rack load capacity:

- BE SURE THE SURFACE OF THE CONCRETE WALL IS SMOOTH, FLAT AND PLUMB.
- INSTALL ONE FASTENER IN EVERY ELONGATED STANCHION HOLE.
- INSTALL EACH DROP-IN ANCHOR AS SHOWN ON THIS DRAWING AND AS DESCRIBED BELOW:
  - DRILL A 5/8" DIAMETER HOLE 2" DEEP.
  - BLOW OUT HOLE.
  - DRIVE ANCHOR FLUSH TO 1/16" BELOW SURFACE OF CONCRETE.
  - EXPAND ANCHOR WITH FRT-112 SETTING TOOL. ANCHOR IS PROPERLY SET WHEN SHOULDER OF SETTING TOOL IS FLUSH WITH THE TOP OF ANCHOR.
- INSTALL THE FLAT WASHER AND TIGHTEN THE CAP SCREW JUST ENOUGH TO ATTAIN A SNUG FIT. AVOID HIGH SCREW TORQUE WHICH INDUCES COMPRESSIVE STRESS.
- AFTER ASSEMBLING THE ARMS TO THE STANCHION, TAP THE ARM DOWN WITH A LIGHT Mallet BLOW. THE LIGHT Mallet BLOW WILL FULLY SEAT AND LOCK ARM IN PLACE.
- INSTALL OPTIONAL HDL LOCK BY PLACING THE LOCK ON THE ARM WITH THE LOCKING BARBS UP. PUSH THE LOCK INTO THE RECTANGULAR HOLE IN THE STANCHION. WHEN THE STOP FLANGES ON THE LOCK HIT THE STANCHION, THE LOCK WILL CLICK INTO PLACE. SEE DETAIL No.1 AT LEFT.

### NOTES:

- THE ANCHOR ARRANGEMENT SHOWN ON THIS INSTALLATION DRAWING ALLOWS FOR COMPLETE VARIABILITY OF ARM SIZE & LOCATION OF ARM ON STANCHION.
- SEE UDI "MOUNTING HARDWARE" CATALOG SHEET (FORM 120292AC) FOR ANCHOR LOAD CAPACITY, GENERAL ANCHOR NOTES AND HEX HEAD CAP SCREW NOTES.
- SEE UDI "TECHNICAL DATA" CATALOG SHEET (FORM 111391AE) FOR LOAD CARRYING CAPACITY.
- SEE UDI "GUIDE SPECIFICATION" (FORM 123191AJ) FOR GENERAL SPECIFICATIONS ON THE HEAVY DUTY NON-METALLIC CABLE RACK.

**HEAVY DUTY NON-METALLIC CABLE RACK**  
Installation Details For 1 Ea. CR36-B Stanchion With 1 Ea. 3HDS Saddle,  
1 Ea. RA08, 1 Ea. RA14 & 1 Ea. RA20 Arm Using Drop-In Anchors

SCALE: See At Left | DESIGNED BY: Don McCoy | DRAWN BY: Alan Armstrong | CHECKED BY: Don McCoy  
DATE: 12-3-03 | APPROVED BY: | REVISION: F 7-23-07

1st Designed For TYPICAL INSTALLATION OF CABLE RACKS

UNDERGROUND DEVICES, INC. | DRAWING NUMBER: 90-3161  
NORTHBROOK, ILLINOIS 60062 - PHONE: (847) 205-9000 | PAGE 1 OF 1