

Quick-Check **Tension Meter**

The Dillon Quick-Check Tension Meter quickly measures tension in cable guardrails, guy lines and overhead wires. It installs, measures and removes in seconds. The digital loadcell is highly accurate and requires no lookup or correction tables.



NEW Store wire rope readings and export data
(Ideal for tower data collection)

- Time saving check-tensioning mode
- Portable and rugged – designed for outdoor use
- Built-in averaging saves time and eliminates errors
- Factory calibrated for up to 20 unique wire sizes and types



- Sheaves with bearings eliminate friction and provide the best accuracy
- Accommodates a wide range of wire sizes and styles
- Telescoping handle engages meter quickly with minimal effort
- Highly visible yellow finish
- Easy-to-read backlit display with full-text prompts
- RS-232 Port
- Easy to use soft-key interface
- Uses popular AA batteries and has long life between changes

The Fastest Cable Tension Meter

The Dillon Quick-Check can be placed on a cable, measure its tension, and removed in under five seconds! There are no complex lookup tables, no conversion charts. The operator can quickly select from 20 different wire sizes and types stored in Quick-Check's memory. The Check-Tensioning mode graphically displays the current and target tensions for extremely quick setting of line tension. Even the infrequent battery changes are quick.

Broad Application

The Quick-Check can be employed in many industries to ensure proper tensioning. Typical applications include tower and stack guy wires, pretensioned cable barriers, bridges, elevators, winch rope, overhead electric transit wires, fall arrest systems, aircraft cables and utilities.

Specifications

Tension capacities:
2000 lb/10 kN/1000 kg
10,000 lb/45 kN/4500 kg

Wire sizes: 3/16 inch through 1 inch
(4.75 mm through 25.4 mm)
View helpful ordering tips at dillon-force.com

Accuracy: ± 3% instrument capacity
(calibrated to specific wire size and type.)

Loading error: Cable elongation of only 0.08 inch (2mm)

Display: Dot-graphic LCD display supports full text and 1 inch high digits.

Sheave range: Each set accommodates rated wire size and 1/2" smaller. Multiple sheave sets may be used.

Suggested wire calibrations: Calibrate each wire diameter needed with the most appropriate sheaves. If two wire types are used of the same diameter (e.g. 1/2" 1x7 and 1/2" 6x19), calibrate each type independently if accuracy is critical.

Environment protection:
Suitable for continued outdoor use.

Operating range:
-4° F to 158° F (-20° C to 70° C)

Tension units of measure:
pound-force, kilogram force, Newtons

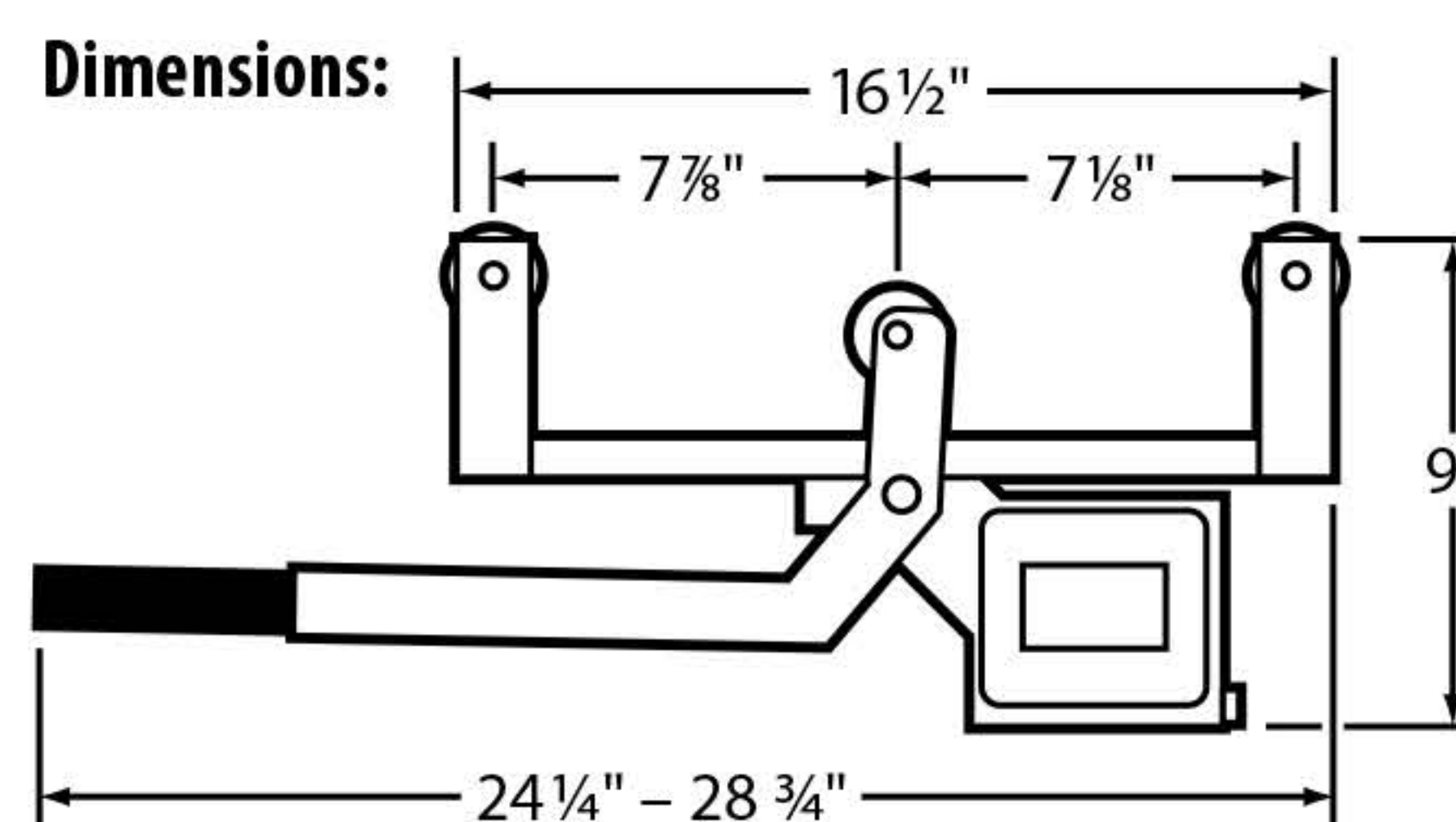
Resolution: Configurable low/med/high

Size: 10 x 23 x 3 inch (25 x 59 x 8 cm)

Weight: Approx 11 lb (5 kg)

Recalibration: At user discretion. Commonly 12-24 months; should be more frequent with heavy use. On-site recalibration may be possible through your Dillon distributor.

Approvals: CE



RS-232 port



Carry case included

Dillon also manufactures highly accurate electronic and mechanical dynamometers and crane scales.



For More Information & Ordering Please Contact LineStar

www.linestar.ca/contact-us/



© Avery Weigh-Tronix 2012. All rights reserved. This publication is issued to provide outline information only which, unless agreed by Avery Weigh-Tronix in writing, may not be regarded as a representation relating to the products or services concerned. Avery Weigh-Tronix reserves the right to alter without notice the specification, design, price or conditions of supply of any product or service.