

**Be more efficient while minimizing repetitive motion injuries.**

**What took 20-30 minutes now will take 3 minutes.**

- Scores the Semi-Con at the same time
- Adjustable Semi Conductor Blade
- Stainless Steel Stop Bearing
- Adjustable Insulation Blade
- Bored Aluminum Housing
- Cased for easy storage
- Removable Tail Shaft



**4 Color Coded  
Conductor Adapters  
#2 - 4/0 cable sizes**



**Part # WW1**



**Surrey Office**

17949 Roan Place  
Surrey, B.C. V3S 5K1  
Phone: 604-594-2701  
Fax: 604-594-2751

**Calgary Office**

# 14, 6325 - 11 Street SE  
Calgary, AB, T2H 2L6  
Phone: 403-243-1900  
Fax: 403-243-2063

**Winnipeg Office**

1103 Keewatin Street  
Winnipeg, MB, R2X 2Z3  
Phone: 204-783-9771  
Fax: 204-783-8951

**Mississauga Office**

Unit #1 - 171 Ambassador Dr.  
Mississauga, ON, L5T 2J1  
Phone: 905-564-5344  
Fax: 905-564-5354

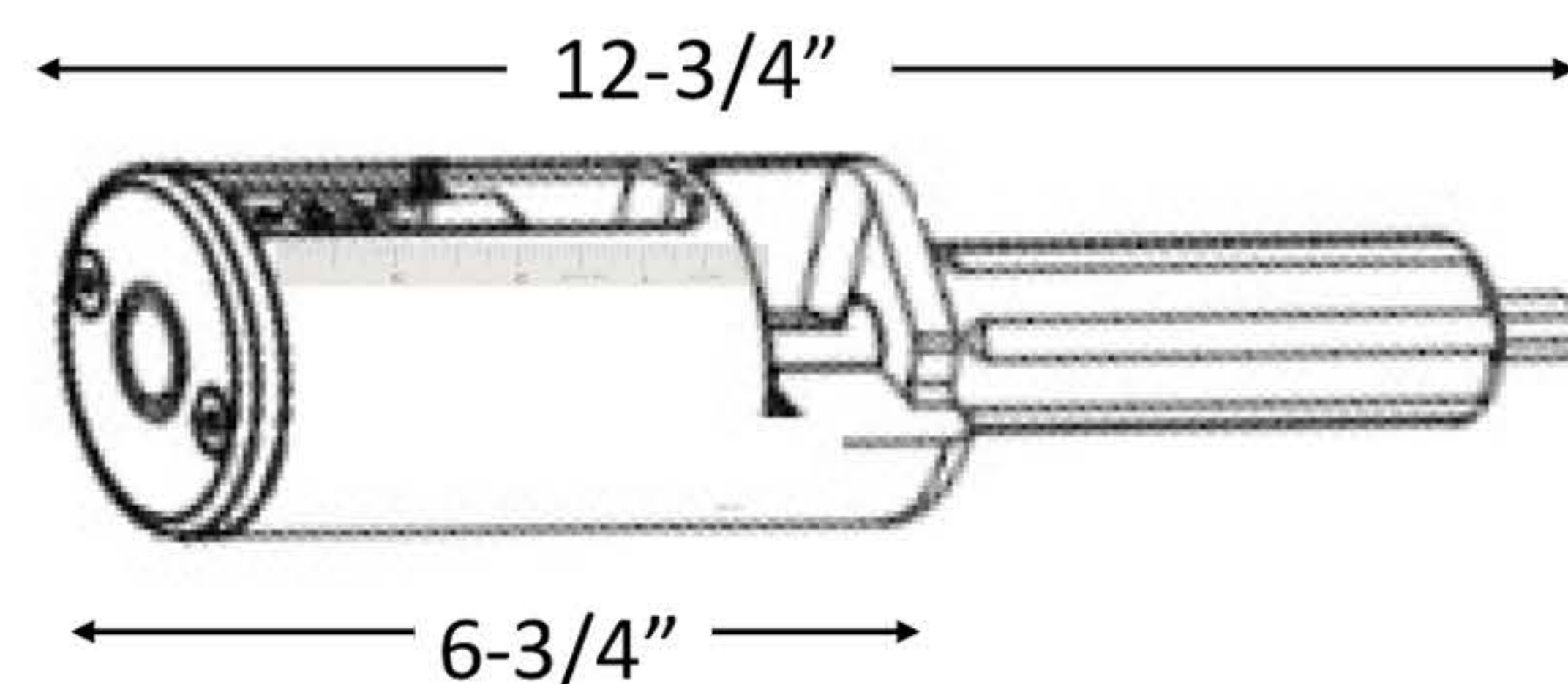


- **Safer** - No knife clean-up
- **Faster** - 3 complete steps in seconds
- **Precise** - Same cut each time. No same-size reset
- **Ergonomical** - No repetitive motions = less injuries

**Removes the insulation**

**Pre-scores the Semi-con**

**Completes end square cuts**



Cable Sizes	1/0-4/0	15kv-25kv, 1/0 - 35kv, 220m
Cable Type	EPR &	XLPE Solid Core Or Stranded
Weight	3.2 lbs	Tool Bored Aluminum
Blades	Steel	Hardened & Tempered
Diameter of Barrell	3-7/8"	Overall Length 12-3/4"

\*Engraved ruler to set insulation & semi-con scoring length.

\*Use with 1/2" drive drill -low speed.



## For More Information Please Contact LineStar Directly

### Surrey Office

17949 Roan Place  
Surrey, B.C. V3S 5K1  
Phone: 604-594-2701  
Fax: 604-594-2751

### Calgary Office

# 14, 6325 - 11 Street SE  
Calgary, AB, T2H 2L6  
Phone: 403-243-1900  
Fax: 403-243-2063

### Winnipeg Office

1103 Keewatin Street  
Winnipeg, MB, R2X 2Z3  
Phone: 204-783-9771  
Fax: 204-783-8951

### Mississauga Office

Unit #1 - 171 Ambassador Dr.  
Mississauga, ON, L5T 2J1  
Phone: 905-564-5344  
Fax: 905-564-5354

